

Table of Contents

(continued)

Ambulatory Infusion Systems	
Infusor System	
Small Volume.....	174
Large Volume	176
Basal / Bolus.....	177
Patient Control Modules (PCM)	177
Multirate	178
Regional Analgesia.....	179
Intermate System	
Small Volume.....	180
Large Volume	181
Extra Large Volume	181
Accessories	181

AMBULATORY INFUSION SYSTEMS

Advancing the best in healthcare....for you.

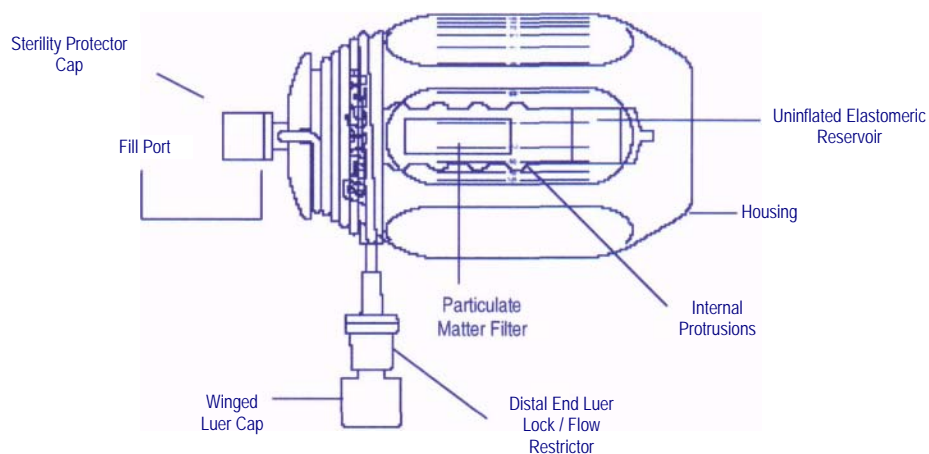
In this section, professionals who serve homecare providers, hospital out-patient facilities and infusion centres will find portable, disposable infusion delivery systems.

For product assistance, please call our Product Information Centre at 1.800.933.0303. This centre is staffed Monday through Friday, 8:00 a.m. to 5:00 p.m. Central time. If you leave an after hours message, one of our knowledgeable associates will be happy to return your call on the next business day.

Infusor System

Infusor System – Small Volume

The Large Volume Infusor System (300 mL maximum volume) and Small Volume Infusor System (65 mL and 95 mL maximum volumes) are portable, disposable devices that use elastomeric technology to infuse drug solutions. A variety of flow rates provide infusion times ranging from approximately one day up to seven days of continuous infusion. Each unit includes an integral administration set with Luer lock adapter. Easy to fill; no needle required to fill Infusor. Ideally suited for homecare or out-patients requiring slow, continuous infusion

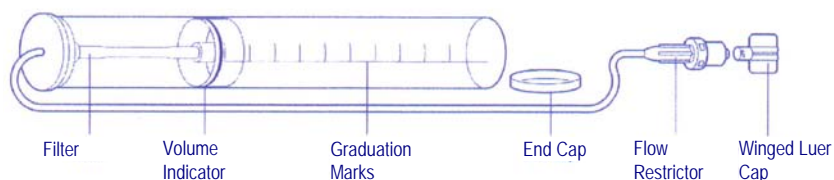


Infusor System – Small Volume

catalogue number	description	maximum fill volume (mL)	flow rate (mL / hr)	maximum delivery time	units / case
2C1704KP	Infusor SV 4	105 mL	4 mL / hr	24 hours	12
2C1701KP	Infusor SV 1	105 mL	1 mL / hr	96 hours	12

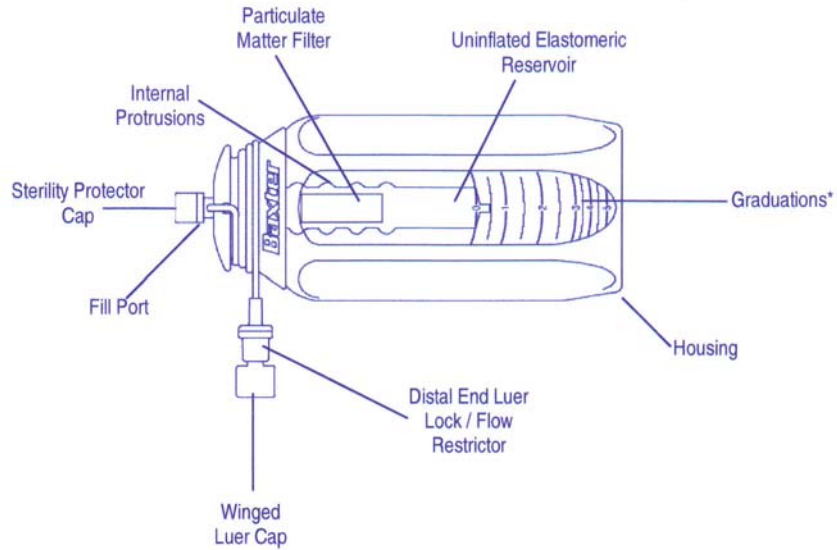
Infusor System

Infusor System – Small Volume



Infusor System – Small Volume

catalogue number	description	maximum fill volume (mL)	flow rate (mL / hr)	maximum delivery time	units / case
2C1073KJP	Half Day Infusor	65 mL	5 mL / hr	12 hours	12
2C1071KJP	Single Day Infusor	65 mL	2 mL / hr	24 hours	12
2C1075KJP	Two Day Infusor	105 mL	2 mL / hr	48 hours	12
2C1083K	Deferral Infusor	65 mL	1 mL / hr	60 hours	12
2C1080KJP	Multi-Day Infusor	65 mL	0.5 mL / hr	120 hours	12
2C1082KJP	Seven Day Infusor	95 mL	0.5 mL / hr	168 hours	12



* The graduation markings on the Intermates and Infusors indicate that the device is delivering fluid. They are not an indicator of how much fluid has been delivered.

Infusor System – Large Volume

catalogue number	description	maximum fill volume (mL)	flow rate (mL / hr)	maximum delivery time	units / case
2C1063KP	Infusor LV 10	300 mL	10 mL / hr	24 hours	12
2C1156KP	Infusor LV 7	300 mL	7 mL / hr	39 hours	12
2C1009KP	Infusor LV 5	300 mL	5 mL / hr	48 hours	12
2C1008KP	Infusor LV 2	300 mL	2 mL / hr	120 hours	12
2C1087KP	Infusor LV 1.5	300 mL	1.5 mL / hr	168 hours	12

Infusor System

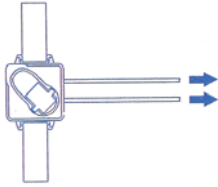
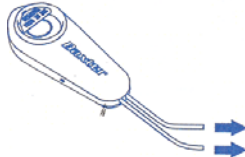
Infusor System – Basal / Bolus

catalogue number	description	maximum fill volume (mL)	flow rate (mL / hr)	maximum delivery time	units / case
2C1954KJP*	Basal / Bolus Infusor	65 mL	Basal 0.5 mL Bolus 0.5 mL	120 hours	12
2C1955KJP*	Basal / Bolus Infusor	65 mL	Basal 0.5 mL Bolus 2.0 mL	120 hours	12
2C1976KJP*	Basal / Bolus Infusor	96 mL	Basal 2.0 mL Bolus 2.0 mL	48 hours	6

* Must be used with a Patient Control Module

Patient Control Modules

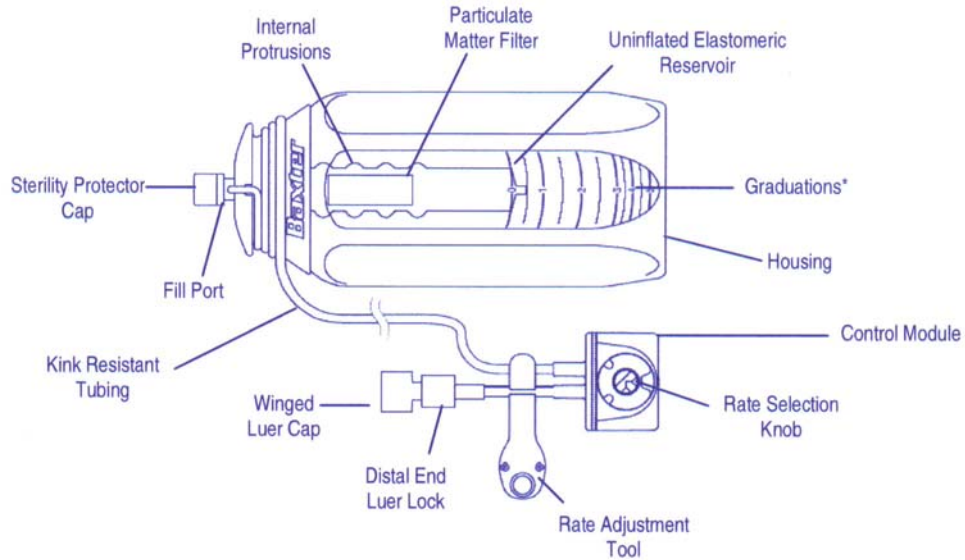
Patient Control Modules (PCM)

catalogue number	description		units / case
2C1079K	PCM 0.5 mL		12
2C1067KP	PCM 2.0 mL		12

Infusor System

Infusor System - Multirate

The Multirate Infusor System is designed to provide a continuous flow of medication over the infusion period. The flow rate of the device is determined by the setting on the Multirate Infusor Control Module. The device can be set to flow at any one of the Nominal Flow Rates indicated for the device.



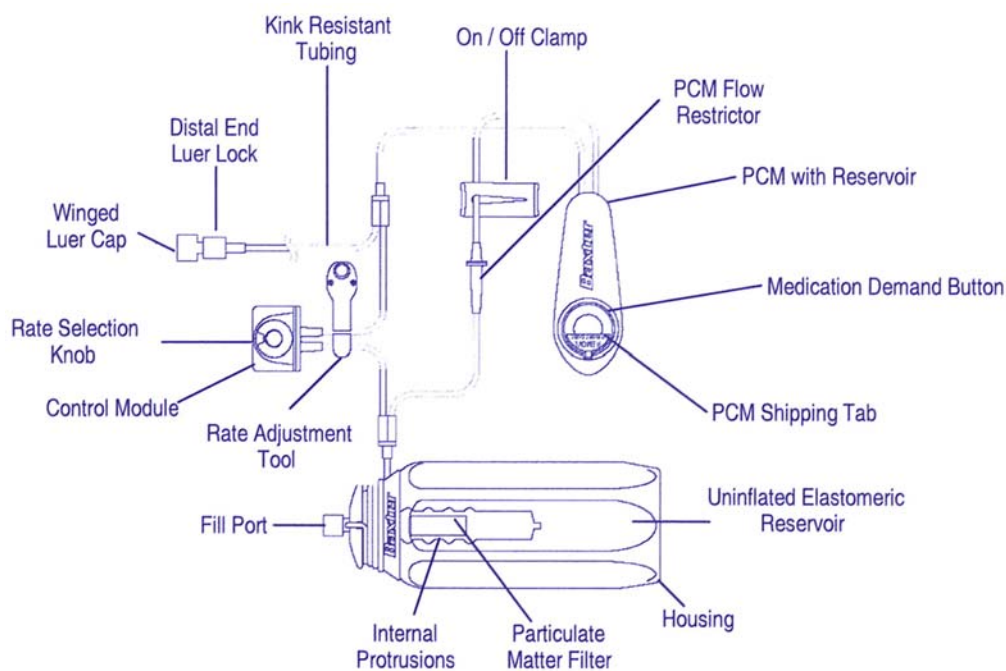
Infusor System - Multirate

catalogue number	description	maximum fill volume (mL)	flow rate (mL / hr)	maximum delivery time	units / case
2C1154KP	Infusor SV 1,2,3	105 mL	1,2,3 mL / hr	96,48,32 hours	12
2C1155KP	Infusor LV 2,3,5,	300 mL	2,3,5 mL / hr	120,80,48 hours	12

Infusor System

Infusor System – Regional Analgesia

The Regional Analgesia Infusor System with preattached Patient Control Module (PCM) is intended to provide slow continuous (basal) infusion of analgesics for the purpose of providing regional analgesia via peripheral nerve or epidural block. It can also be used for providing local analgesia via direct wound or intra-articular infiltration. The PCM also allows for intermittent bolus doses of analgesia agents on patient demand. The Regional Analgesia Infusor System with Patient Control Module is suitable for operative and post-operative pain management.



Infusor System – Regional Analgesia

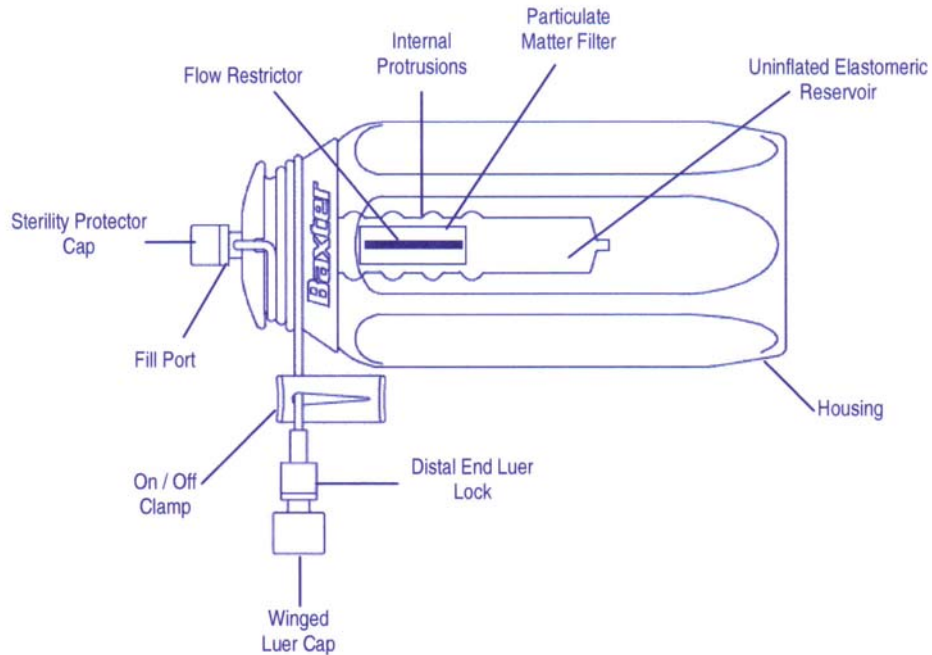
catalogue number	description	maximum fill volume (mL)	flow rate (mL / hr)	maximum delivery time	units / case
2C1811KP*	Infusor LV 5,7,12	300 mL	5,7,12 mL / hr	48,34,20 hours	12

* With preattached Patient Control Module (PCM Fill Time – 30 minutes)

Intermate System

Intermate System

The Intermate Systems are portable, disposable devices that use elastomeric technology to infuse drug solutions at a continuous rate. The Large Volume Intermate System (275 mL maximum volume) and the Small Volume Intermate System (105 mL maximum volume) provide a variety of flow rates. Infusion times range from thirty minutes to five hours of continuous infusion. Each unit includes an integral administration set with a Luer lock adapter. Easy to fill; can be used with automated filling systems. Ideally suited for homecare or out-patients requiring intermittent infusion therapy.



Intermate System – Small Volume

catalogue number	description	maximum fill volume (mL)	flow rate (mL / hr)	maximum delivery time	units / case
2C1734K	Intermate SV 200	105 mL	200 mL / hr	30 minutes	48
2C1732K	Intermate SV 100	105 mL	100 mL / hr	1 hour	48
2C1730K	Intermate SV 50	105 mL	50 mL / hr	2 hours	48

Intermate System**Intermate System – Large Volume**

catalogue number	description	maximum fill volume (mL)	flow rate (mL / hr)	maximum delivery time	units / case
2C1744K	Intermate LV 250	275 mL	250 mL / hr	1 hour	24
2C1742K	Intermate LV 100	275 mL	100 mL / hr	2 1/2 hours	24
2C1740K	Intermate LV 50	275 mL	50 mL / hr	5 hours	24

Intermate System – Extra Large Volume

catalogue number	description	maximum fill volume (mL)	flow rate (mL / hr)	maximum delivery time	units / case
2C1064K	Intermate XLV	550 mL	250 mL / hr	2 hours	12

Accessories**Accessories**

catalogue number	description	units / case
2C1100	Belt Bag – For use with Small and Large Volume Intermates and Infusors	6

